



STEELCON FABRICATION

62 PROGRESS CRT. BRAMPTON ONT L6S-5X2
 TEL: (416) 798-3343 FAX: (416) 798-2922

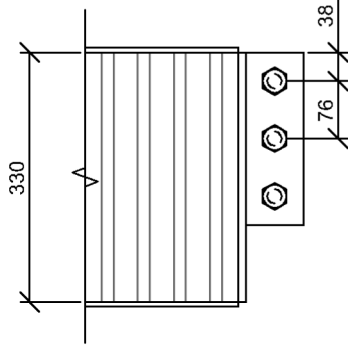
JOB: SIN BEAM
 TITLE: SHEAR CONNECTION TO HSS

DATE: 2015-09-24

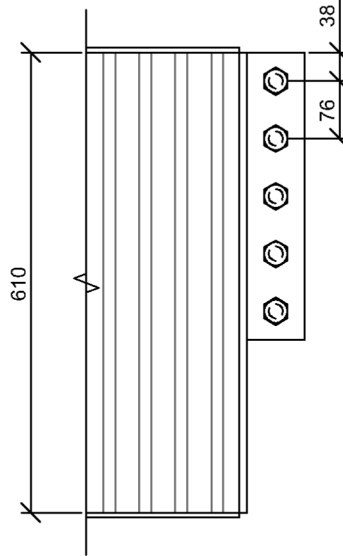
SK-1.01

SHEET:

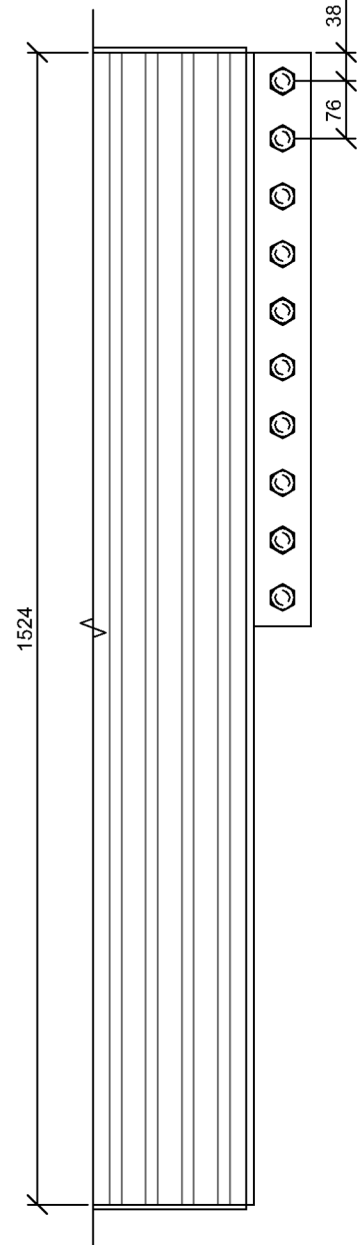
WT_330
3 BOLTS



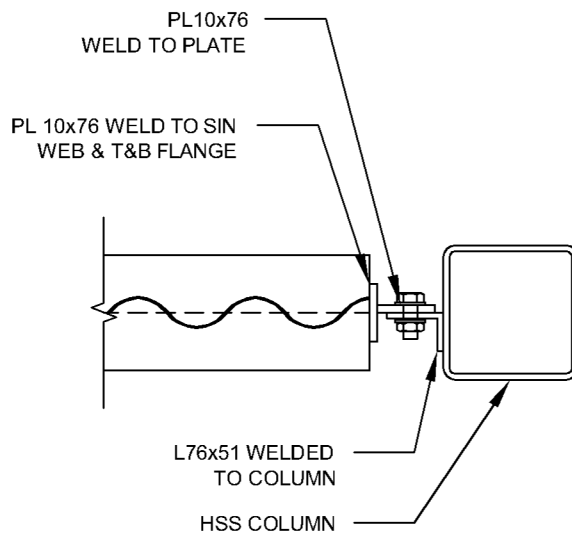
WT_610
5 BOLTS



WT_1524
10 BOLTS



NUMBER OF BOLTS		
SIN BEAM DEPTH		# BOLTS
(mm)	(in)	19mm (3/4") Ø
330	13	3
508	20	4
610	24	5
762	30	6
914	36	8
1016	40	8
1219	48	10
1524	60	10



**SIN BEAM TO HSS COLUMN
SHEAR CONNECTION**



STEELCON FABRICATION

62 PROGRESS CRT. BRAMPTON ONT L6S-5X2
 TEL: (416) 798-3343 FAX: (416) 798-2922

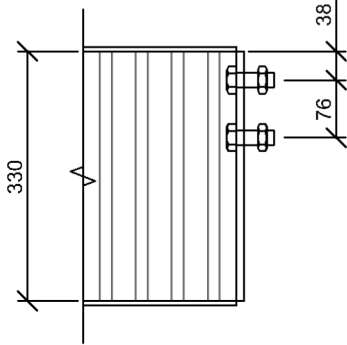
JOB: SIN BEAM
 TITLE: SHEAR CONNECTION TO WF

DATE: 2015-09-24

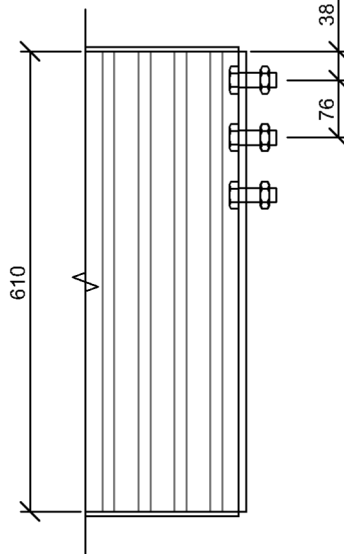
SK-1.02

SHEET:

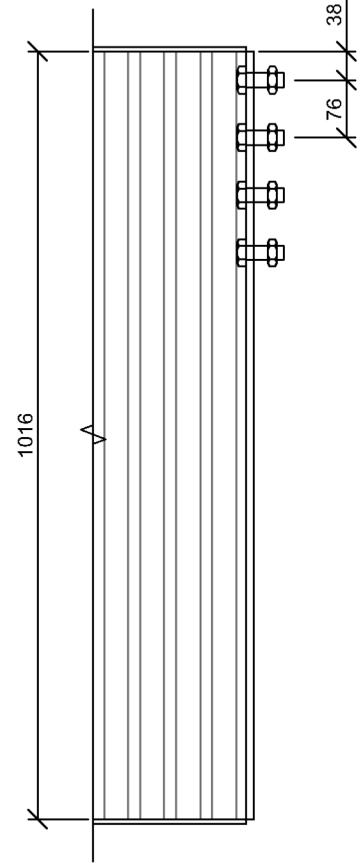
WT_330
4 BOLTS



WT_610
6 BOLTS

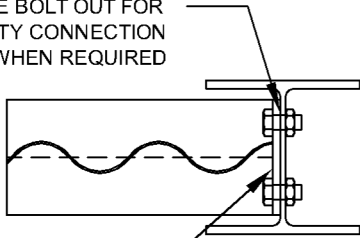


WT_1016
8 BOLTS



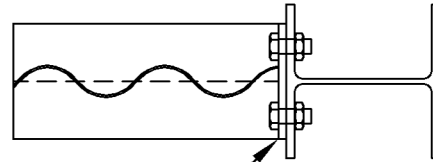
NUMBER OF BOLTS		
SIN BEAM DEPTH		# BOLTS
(mm)	(in)	19mm (3/4") Ø
330	13	4
508	20	4
610	24	6
762	30	6
914	36	8
1016	40	8
1219	48	10
1524	60	10

LEAVE ONE BOLT OUT FOR
SAFETY CONNECTION
WHEN REQUIRED



10mm END PL
WELD TO SIN BEAM
WEB, AND FLANGES

SIN BEAM TO WF COLUMN WEB
SHEAR CONNECTION



10mm END PL
WELD TO SIN BEAM
WEB, AND FLANGES

SIN BEAM TO WF COLUMN FLANGE
SHEAR CONNECTION



STEELCON FABRICATION

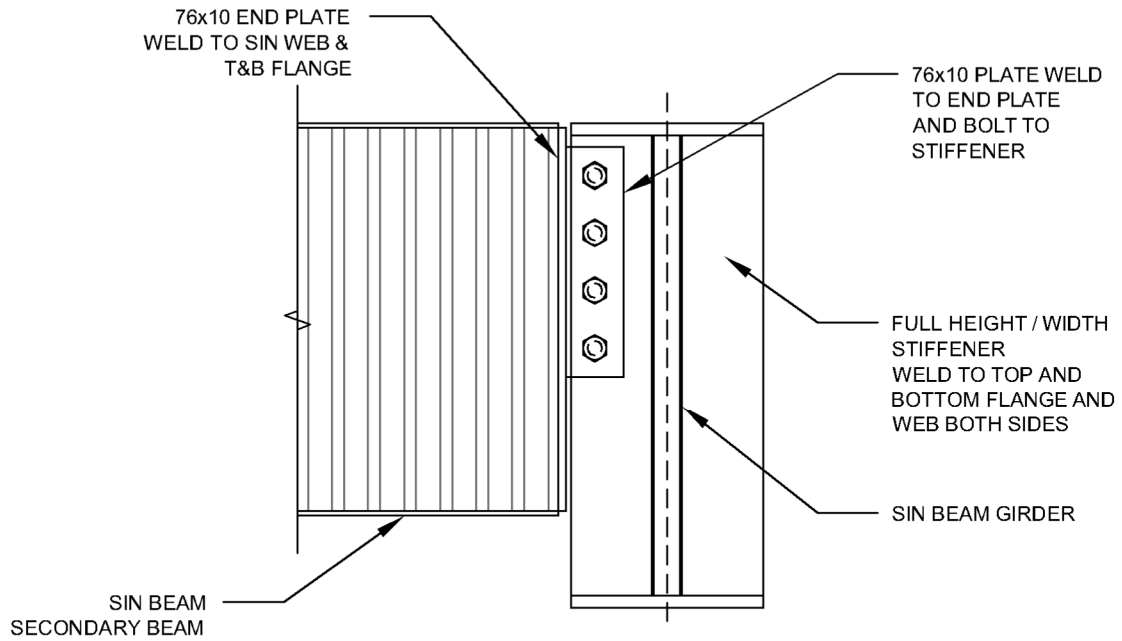
62 PROGRESS CRT. BRAMPTON ONT L6S-5X2
TEL: (416) 798-3343 FAX: (416) 798-2922

JOB: SIN BEAM
TITLE: SIN BEAM TO SIN BEAM
SHEAR CONNECTION

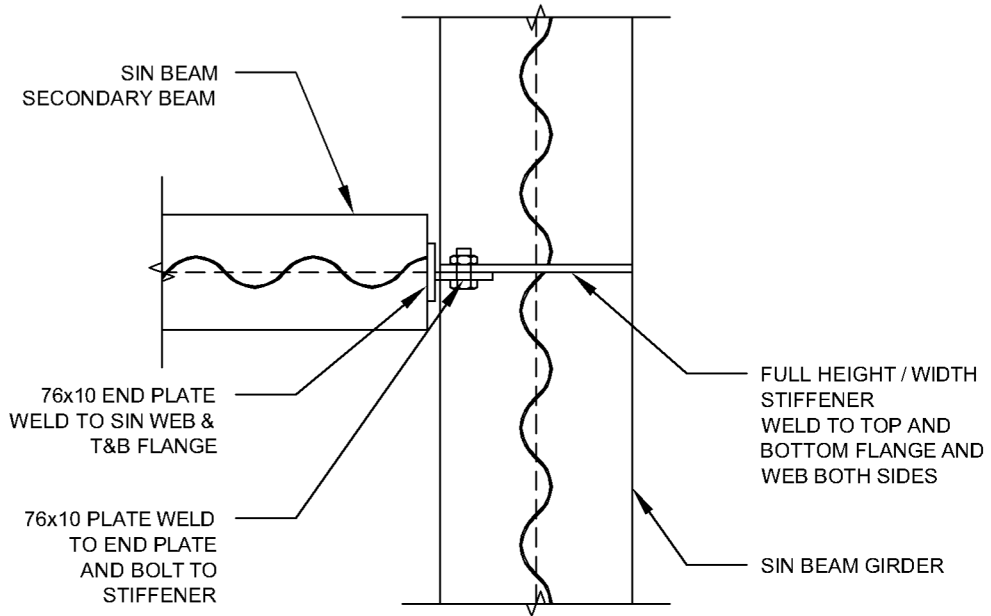
DATE: 2015-09-24

SK-1.03

SHEET:



SECTION
SIN BEAM TO SIN BEAM
SHEAR CONNECTION



FOR NUMBER OF BOLTS REFER TO SIN BEAM TO HSS COLUMN BOLTING TABLE USING THE DEPTH OF THE SECONDARY BEAM

PLAN
SIN BEAM TO SIN BEAM
SHEAR CONNECTION



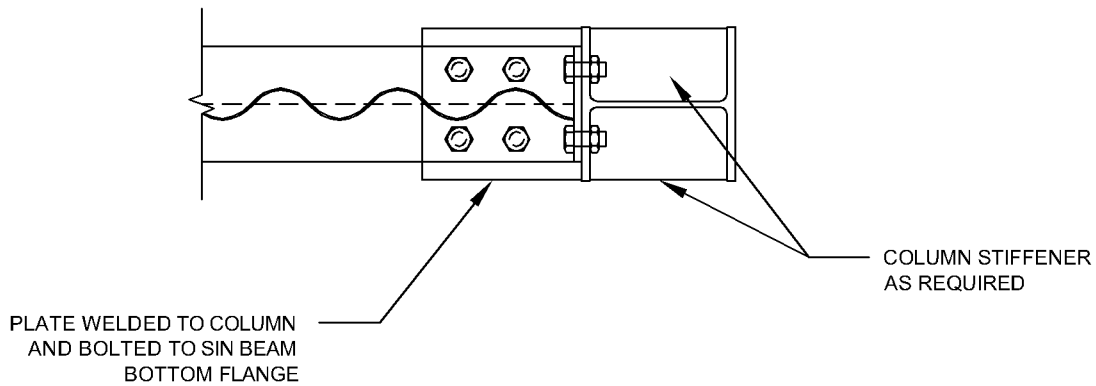
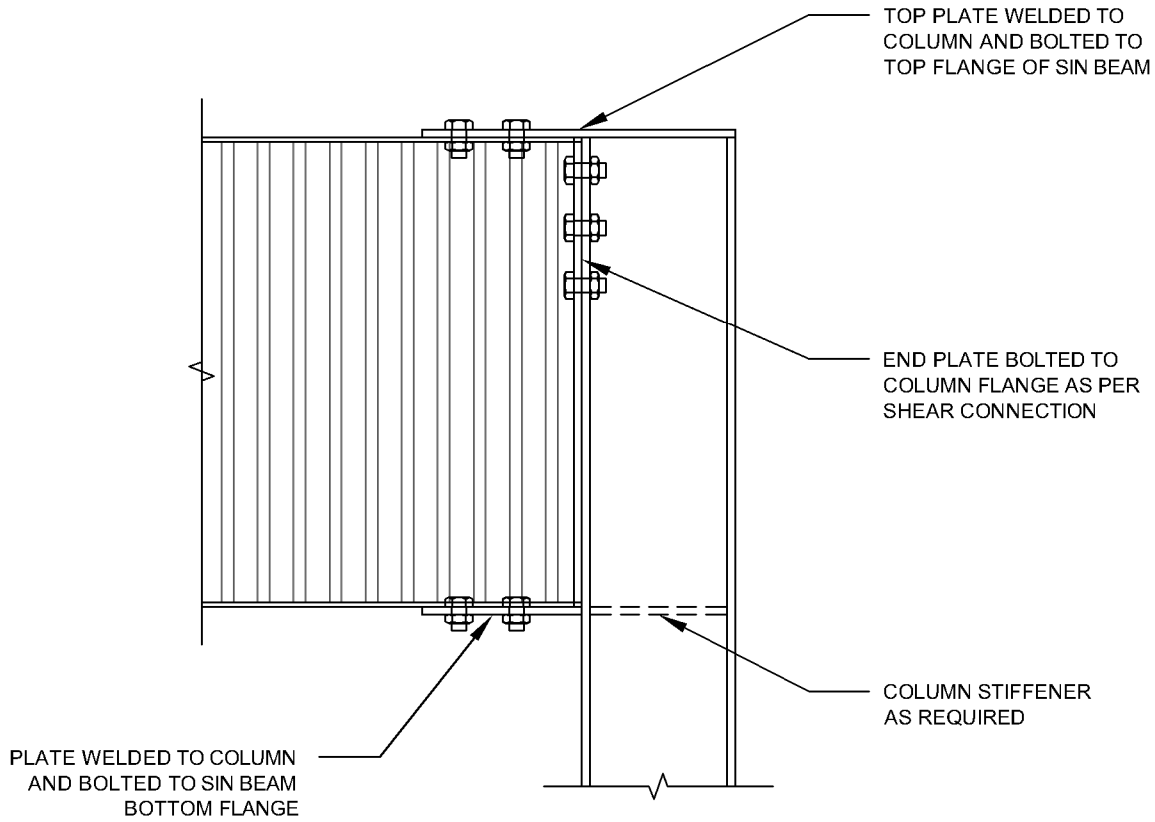
STEELCON FABRICATION

62 PROGRESS CRT. BRAMPTON ONT L6S-5X2
TEL: (416) 798-3343 FAX: (416) 798-2922

JOB: SIN BEAM
TITLE: MOMENT CONNECTION TO WIDE FLANGE COLUMN

DATE: 2015-09-24

SHEET: SK-2.01



SIN BEAM TO WF COLUMN
MOMENT CONNECTION



STEELCON FABRICATION

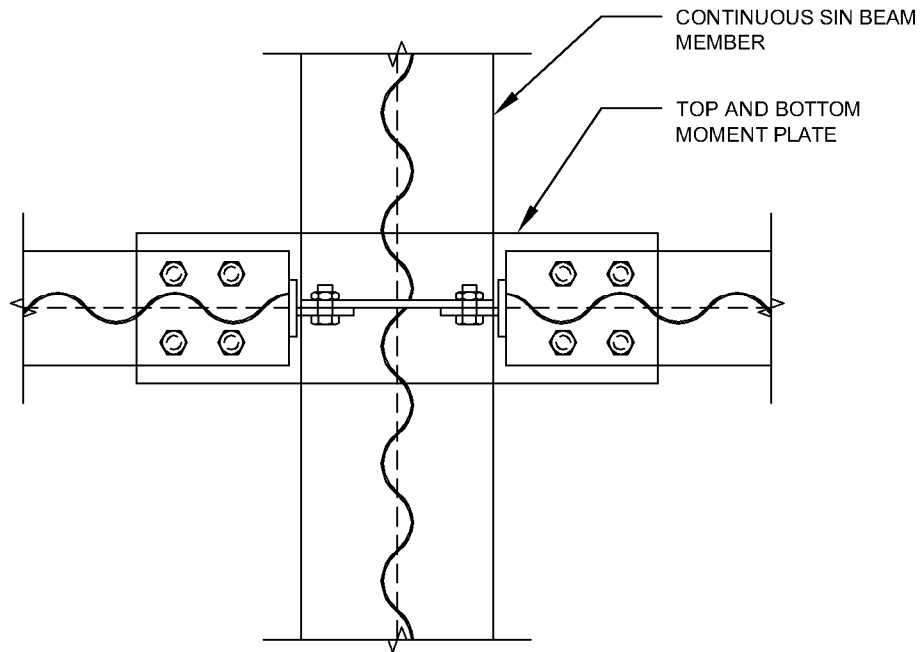
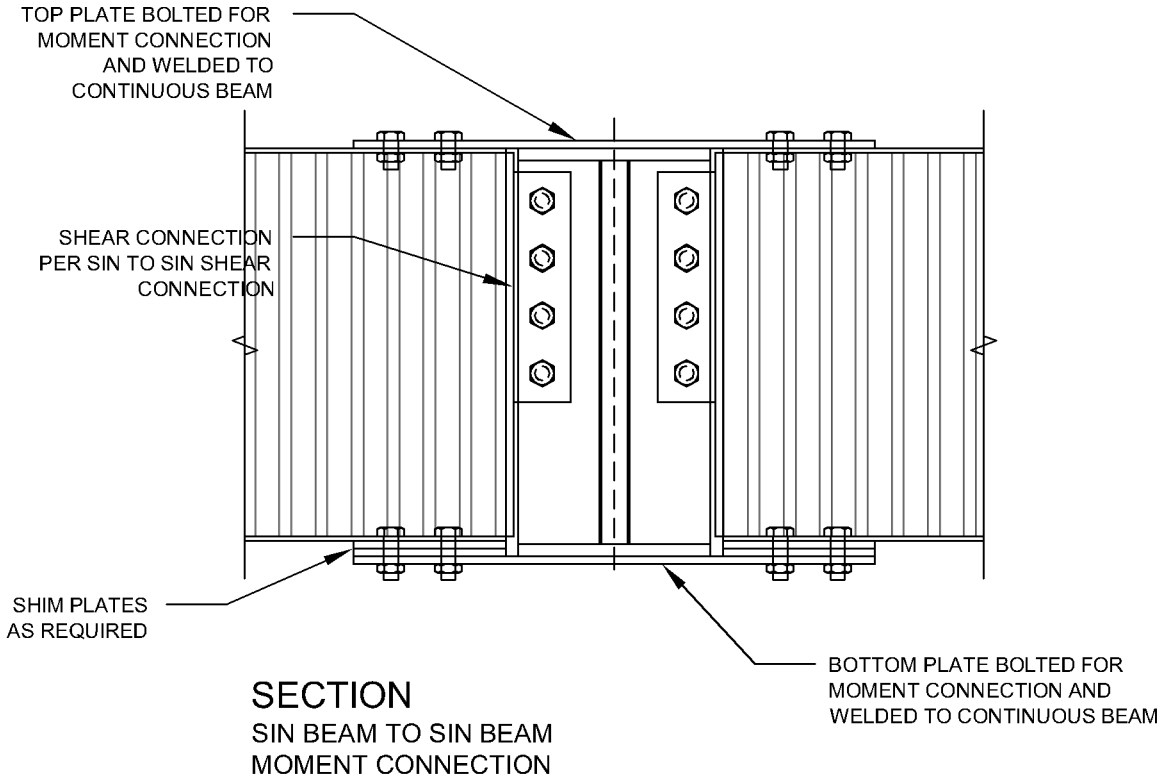
62 PROGRESS CRT. BRAMPTON ONT L6S-5X2
TEL: (416) 798-3343 FAX: (416) 798-2922

JOB: SIN BEAM
TITLE: SIN BEAM TO SIN BEAM
MOMENT CONNECTION

DATE: 2015-09-24

SK-2.02

SHEET:



SIN BEAM MEMBERS SHOULD HAVE SAME WEB DEPTH, SHIM PLATES REQUIRED TO MAKE UP DIFFERENCE IN FLANGE THICKNESS



STEELCON FABRICATION

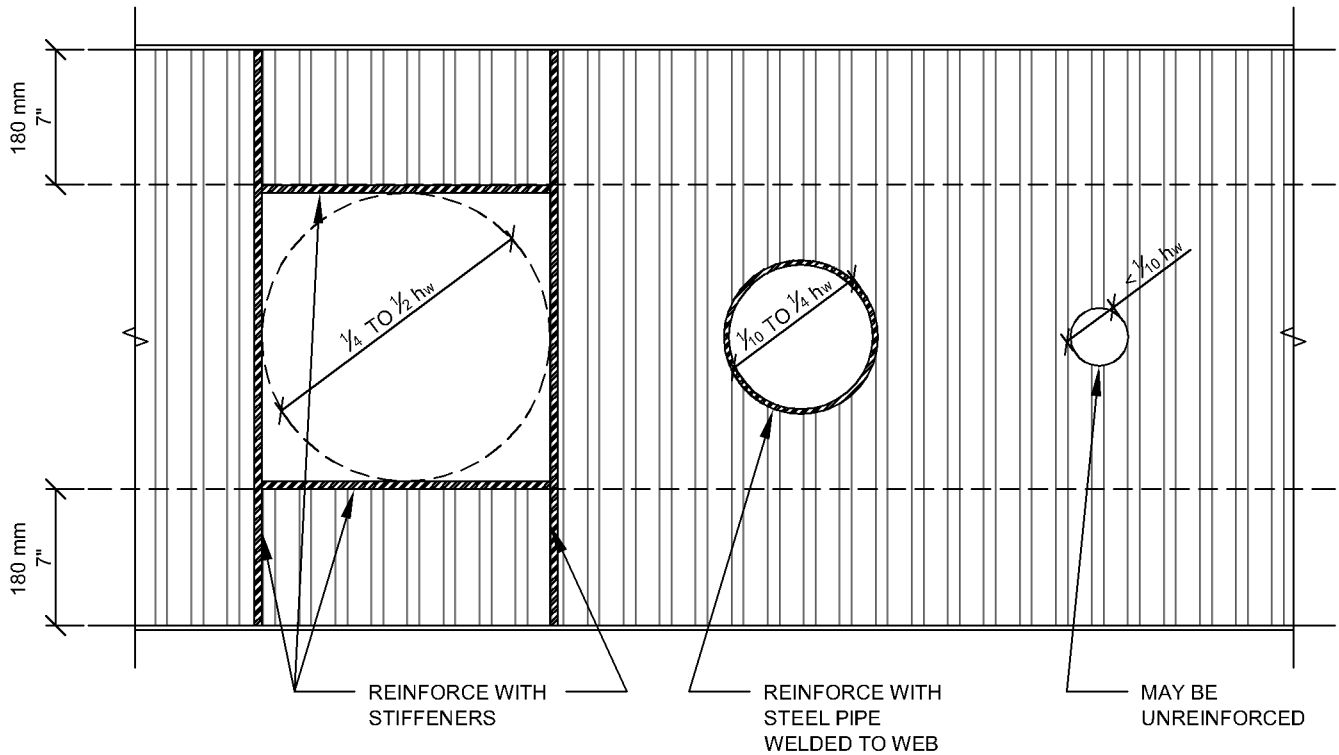
62 PROGRESS CRT. BRAMPTON ONT L6S-5X2
TEL: (416) 798-3343 FAX: (416) 798-2922

JOB: SIN BEAM
TITLE: WEB OPENINGS

DATE: 2015-09-24

SHEET: SK-3.01

SHEET:



WEB OPENING NOTES:

- OPENINGS SHOULD BE LOCATED NEAR MID DEPTH OF THE BEAM
- OPENINGS ARE TYPICALLY ONLY POSSIBLE WHEN $V_F < \frac{2}{3} V_R$